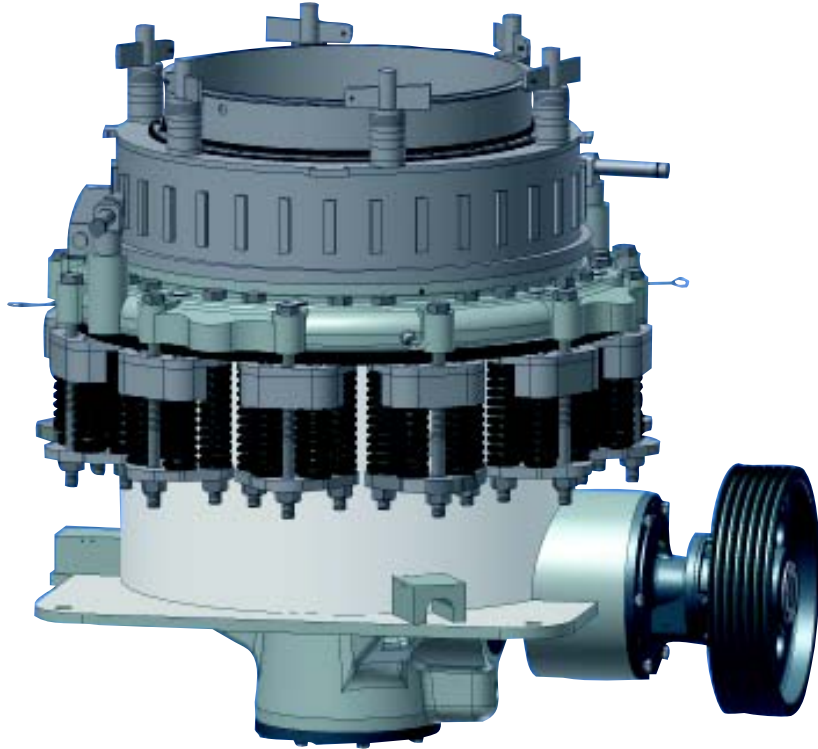


SDY 系列圆锥破碎机

SDY Series Cone Crusher



SDY 系列圆锥破碎机是经过吸收美国先进破碎技术研制出的具有国内领先水平的圆锥破碎机，广泛应用于冶金、建筑、水电、交通、化工、建材工业中，适合破碎坚硬、中等硬度以上的各种矿石和岩石。

SDY Series Cone Crusher owns advanced technology. It is widely used in metallurgical industry, hydro-dam construction, transportation, chemical industry and building materials, is suitable for crushing all sorts of rocks which is hard and medium hard.

特点及优势:

- 结构合理，破碎原理及技术参数先进，运转可靠，运行成本低；
- 具有大破碎力，生产效率高，产量高；
- 弹簧保险系统可靠，能提供安全有效的过载保护；
- 两种破碎腔结构，适应大范围产品粒度要求；
- 手动液压调整排料口，轻松省力。

Features and Benefits:

- Reasonable structure, advanced crushing principle and technical data, reliable in operation, low cost in operation.
- Powerful in crushing, high efficiency, high production.
- Reliable spring insurance system, can provide safe and efficient protection of overload.
- Two kinds of crushing chamber structure, suitable for wide range of product size requirement.
- The manual hydraulic control discharge opening, operate easily and save effort.

SDY 系列圆锥破碎机

SDY Series Cone Crusher

Technical Data

Model	Type of Cavity	Min Discharge Setting(mm)	Max Feeding Size(mm)	Motor Power(kw)	Open circuit,Closed side(mm),Capacity(t/h)											
					3mm	5mm	6mm	10mm	13mm	16mm	19mm	25mm	31mm	38mm	52mm	64mm
SDY600B	Fine	6	62	30			16	18	23	27	32	41	46	55		
	Coarse	9	80	30				18	23	27	32	46	55	68		
	Ertra coarse	13	93	30					23	27	36	50	64	73		
SDY900B	Fine	9	87	75				46	59	73	82					
	Coarse	13	150	75					59	73	91	118	137	164		
	Ertra coarse	25	155	75								118	137	164		
SDY1200B	Fine	9	107	132				64	91	109	127	155	168			
	Medium	13	150	132					100	118	137	164	182	200		
	Coarse	19	172	132							141	182	200	246	310	
	Ertra coarse	25	220	132								191	210	255	319	
SDY1300B	Fine	13	120	160					109	127	146	164	182			
	Medium	16	180	160						132	159	200	228	255		
	Coarse	19	205	160							173	218	250	296	350	
	Ertra coarse	25	220	160								237	273	305	360	
SDY1700B	Fine	16	180	220						182	205	259	296	328		
	Medium	22	205	220								291	337	382	419	
	Coarse	25	230	220								300	355	419	455	637
	Ertra coarse	38	315	220										432	478	683
SDY600D	Fine	3	30	30	9	16	18	27	36							
	Coarse	5	45	30		16	22	33	41	50						
SDY900D	Fine	3	35	75	27	41	55	68	91							
	Medium	3	51	75	27	41	55	68	91	100						
	Coarse	6	65	75			59	73	96	114	127					
SDY1200D	Fine	5	46	132		50	77	86	123	132						
	Medium	8	61	132				91	132	146						
	Coarse	13	75	132					141	164	182					
	Ertra coarse	16	102	132					146	168	191	218				
SDY1300D	Fine	3	55	160	36	59	82	105	137	164						
	Medium	6	76	160			82	105	137	164						
	Coarse	8	90	160				109	159	182	200	228				
	Ertra coarse	16	115	160							209	237				
SDY1700D	Fine	5	60	220		91	137	164	209							
	Medium	6	76	220			137	164	209	255	282					
	Coarse	10	115	220				191	255	282	309	337				
	Ertra coarse	13	115	220					255	282	309	337				

注：上述生产能力是在破碎中硬物料、松散密度为 $1.6 \times 10^3 \text{kg/m}^3$ 时开路循环生产总吨数。生产能力与破碎物料的物理性能、给料方式、进料粒度及其组成等工况有关。

Note: The capacity is total tons per hour passing through crusher at open circuit when crushing mid-hard material and loose density with $1.6 \times 10^3 \text{kg/m}^3$. Capacities are relative to physical character and type of feeding, feeding size and composition and so on.